

New York East 91st Street Marine Transfer Station-electrical

Category:	Marine Work, Water and Sewage Treatment Plants	Project ID #:	1000166127
Street Address:	E 91st St Manhattan NY 10021	Confirmed Value	\$181,640,000.00
County:	New York	Stage:	Low Bids Announced
Bid Date:	6/28/2012 , 2:00 PM		
Architect:	Greeley and Hansen - New York Office		
Documents Available:	Addenda available in Insight		Plans available from NYC Department of Design & Construction (NYCDDC)
Last Update:	6/17/2015		KSK Construction Group LLC was added as a bidder

Notes

Scope Government - Miscellaneous Building, Marine Work, Water Treatment MARINE TRANSFER STATION CONVERSION PROGRAM EAST 91ST STREET MARINE TRANSFER STATION : connection with the construction of the East 91st Street Marine Transfer Station (MTS), at the site of the existing East 91st Street MTS located at the foot of East 91st Street between the Franklin D. Roosevelt Drive and the East River in the Borough of Manhattan.

Notes 1. Plan Deposit Checks Must Be Payable To Comptroller, City of New York 2. Pre-Bid Conference 01/26/2012 10:00 AM 3. Pre-Bid Conference Location = 125 Worth Street, 2nd Floor Auditorium, NY, NY 10013 4. Walk Through 01/26/2012 2:00 PM 5. Walk Through Location : participants should meet at the entrance gate to the existing East 91st Street MTS (1740 York Avenue, NY, NY 10128).

Details [Division 2]: Building Demolition, Hazardous Material Abatement, Clearing, Dewatering, Excavation, Slope Protection & Erosion Control, Piles & Caissons, Marine Work, Paving & Surfacing, Unit Pavers, Steam Distribution Systems, Sewerage & Drainage, Fences & Gates, Landscaping. [Division 3]: Concrete Formwork, Concrete Reinforcement, Structural Concrete, Architectural Concrete, Structural Precast Concrete, Architectural Precast Concrete, Concrete Restoration & Cleaning. [Division 4]: Concrete Unit Masonry. [Division 5]: Structural Steel, Metal Decking, Cold Formed Metal Framing, Metal Fabrications, Metal Stairs, Expansion Joints. [Division 6]: Rough Carpentry, Finish Carpentry, Architectural Woodwork. [Division 7]: Waterproofing, Dampproofing, Insulation, Fireproofing, Firestopping, Manufactured Roofing & Siding, Sheet Metal Roofing. [Division 8]: Metal Doors, Coiling Doors and Grilles, Plastic Windows, Hardware, Glass & Glazing, Curtain Walls. [Division 9]: Ceiling Suspension Systems, Drywall/Gypsum, Tile, Acoustical Ceilings, Painting. [Division 10]: Compartments & Cubicles, Louvers & Vents, Bulletin Boards, Exterior Signs, Interior Signs, Lockers, Fire Extinguishers, Toilet & Bath Accessories. [Division 11]: Vehicle Service Equipment. [Division 12]: Window Treatment, Furniture, Rugs & Mats. [Division 13]: Radiation Protection, Fire Suppression Systems. [Division 14]: Material Handling Systems, Hoists & Cranes. [Division 15]: Mechanical Insulation, Plumbing Piping, Plumbing Fixtures, Fuel Fired Heaters, Packaged A/C Units, Air Handling, Ductwork, Controls & Instrumentation, Testing & Balancing. [Division 16]: Service/Distribution, Interior Lighting, Exterior Lighting, UPS Systems, Standby Power Generator Systems, Lightning Protection Systems, Voice & Data Systems, Television Systems, Electrical Controls.

Additional Details

Listed On:	5/29/2003	Floor Area:	60,000 Square Feet
Contract Type:	Construction Management, Design/Build, General contract, Project Management	Work Type:	New
Stage Comments 1:	Low Bids Announced	Floors Below Grade:	
Stage Comments 2:	BIDS: 06/28/2012, 2:00 PM	Owner Type:	City
Bid Date:	6/28/2012	Mandatory Pre Bid Conference:	
Invitation #:	8502012TR0001C	Commence Date:	
Structures:	1	Completion Date:	
Single Trade Project:	Electrical Contractor	Site Area:	
Floors:	3	LEED Certification Intent:	Unknown
Parent Project ID:		Units:	
Parking Spaces:			

Project Participants

Company Role	Company Name	Contact Name	Address	Phone	Email	Fax
Architect, Civil Engineer, Mechanical and Electrical	Greeley and Hansen - New York Office		111 Broadway 21st Floor, New York, NY 10006	(212) 227-1250	cpomerantz@greeley-hansen.com	(212) 227-1229

Engineer, Plumbing
Engineer

Owner	NYC Dept Of Sanitation-Long Term Export		44 Beaver St , New York, NY 10004-2431	(917) 237-5542		(212) 269-0788
Owner	NYC Department of Design & Construction (NYCDDC)		30-30 Thomson Ave. , Long Island City, NY 11101	(718) 391-1000		(718) 391-2600
Structural Engineer	Klein & Hoffman		111 Broadway FL 2 , New York, NY 10006-1995	(212) 962-3503		
Architect, Civil Engineer, Mechanical and Electrical Engineer, Plumbing Engineer	Greeley and Hansen - New York Office	Harvey Brodsky	111 Broadway 21st Floor, New York, NY 10006	(215) 553-7902	hbrodsky@greeley-hansen.com	(212) 227-1229
Consultant	HDR, Inc. - White Plains Office	Joyce Mariani	711 Westchester Avenue , White Plains, NY 10604	(914) 993-2000		(914) 993-2022

Bidders

Company Name	Added Date	Address	Phone	Email	Bidding Role	Bid Rank	Bid Value	Fax Number
Worth Construction Co. Inc.	3/20/2012	24 Taylor Ave. PO Box 420, Bethel, CT 06801	(203) 797-8788	worth@worthconstruction.com	Electrical Contractor			(203) 791-2515
Manafort Brothers Inc.	6/15/2012	414 New Britain Ave , Plainville, CT 06062	(860) 229-4853	jgarvti@manafortbrothers.com	Electrical Contractor			(860) 747-4861
JRCruz Corp.	4/3/2012	675 Line Road , Aberdeen, NJ 07747	(732) 290-0700	cstrodel@ircruz.com	Electrical Contractor			(732) 290-8960
Walker Diving Underwater Construction Corp.	6/15/2012	75 Waterford Road , Hammonton, NJ 08037	(609) 704-8650	jpelican@walkerdiving.com	Electrical Contractor			(609) 704-8573
AECOM - New York	2/10/2012	100 Park Ave , New York, NY 10158	(212) 973-2900		Electrical Contractor			(212) 557-5079
Peter Scalamandre & Sons	4/3/2012	157 Albany Ave. , Freeport, NY 11520	(516) 868-3000	tricia@scalamandreconstruction.com	Electrical Contractor			(516) 868-3943
Keating Building Corporation	2/4/2012	1600 Arch St Ste 300 , Philadelphia, PA 19103-2016	(610) 668-4100	fdana@keatingnet.com	Electrical Contractor			(610) 660-4950
Prismatic Development Corp.	2/28/2012	60 Route 46 , Fairfield, NJ 07004	(973) 882-1133	dat@prisdev.com	Electrical Contractor			(973) 882-1132
Brickens Construction, Inc.	2/1/2012	801 McLean Ave. , Yonkers, NY 10704	(914) 237-2709		Electrical Contractor			(914) 237-6438
Silverite Construction Co., Inc.	3/20/2012	520 Old Country Road West , Hicksville, NY 11801	(516) 681-0562	bb@silverite.com	Electrical Contractor			(516) 681-0571
Beys Specialty Inc	2/10/2012	2520 Coney Island Ave , Brooklyn, NY 11223-5026	(718) 627-7780	ahamilakis@beyspecialty.com	Electrical Contractor			(718) 336-5960
Minelli Construction	3/20/2012	300 Corporate Plaza suite 302, Islandia, NY 11749	(631) 232-0222		Electrical Contractor			(631) 232-0303
Fratello Construction	3/20/2012	134 Milbar Blvd. , Farmingdale, NY 11735	(631) 414-7171	info@fratelloconstruction.com	Electrical Contractor			(631) 414-7170
Expert Electric Inc	4/27/2012	1871 41st St , Long Island City, NY 11105-1024	(718) 728-7100		Electrical Contractor			(718) 956-0435
Schiavone Constr Co	3/20/2012	150 Meadowlands Pkww Fl 3 .	(201) 867-5070	DELK@SCHIAVONE.NET	Electrical Contractor			(201) 864-3196

Secaucus, NJ
07094-2300

Defoe Corporation	3/20/2012	800 S. Columbus Ave. , Mount Vernon, NY 10550	(914) 699-7440	info@defoecorp.com	Electrical Contractor			(914) 699-6734
Citnalta Construction Corp	3/20/2012	1601 Locust Ave. , Bohemia, NY 11716	(631) 563-1110	rays@citnalta.com	Electrical Contractor			(631) 563-3765
Crisdel Group Inc.	2/2/2012	240 Ryan St. , South Plainfield, NJ 07080	(908) 561-7550		Electrical Contractor			(908) 561-6187
Positive Electrical Associates, Inc.	3/20/2012	40-33 23rd St. , Long Island City, NY 11101	(718) 482-0202	info@positivee.com	Electrical Contractor			(718) 482-0216
McKissack & McKissack	4/27/2012	150 West 30th Street Ste. 1200, New York, NY 10001	(212) 349-6500		Electrical Contractor			(212) 760-4259
WDF, Inc	3/20/2012	30 North MacQuesten Pkwy , Mount Vernon, NY 10550	(914) 776-8000	info@wdfinc.net	Electrical Contractor			(914) 668-5602
Iannelli Construction	2/1/2012	9723 Third Avenue , Brooklyn, NY 11209	(718) 836-2000	e@iancc.com	Electrical Contractor			(718) 833-5416
Underpinning & Foundation Skanska Inc	2/1/2012	4636 54th Rd , Maspeth, NY 11378-1020	(718) 786-6557		Electrical Contractor			(718) 786-6981
Eldor Contracting Corp/Eldor Traffic Signal Contracting	2/10/2012	30 Corporate Dr , Holtsville, NY 11742-2004	(631) 218-0010	ESTALKER@ELDOR.COM	Electrical Contractor			(631) 758-0070
Gilston Electrical Contracting	2/4/2012	338 E 95th Street , New York, NY 10128	(212) 410-7800	info@gilstonelectr.com	Electrical Contractor			(212) 410-7806
Pen Enterprises, Inc.	3/20/2012	521 Coney Island Ave. , Brooklyn, NY 11218	(718) 282-4000		Electrical Contractor			(718) 940-8920
Kanta Electric Corp	2/15/2012	34-21 56th Street , Woodside, NY 11377	(718) 397-9527	info@kantaelectric.com	Electrical Contractor			(718) 779-6535
ACS System Associates Inc.	2/10/2012	160 W Lincoln Ave. , Mount Vernon, NY 10550	(914) 665-5800	info@acssystem.com	Electrical Contractor			(914) 664-8772
Tap Electric	3/29/2012	926 Lincoln Avenue , Holbrook, NY 11741	(631) 567-7600	estimating@tapelectric.net	Electrical Contractor			(631) 567-7628
D'Onofrio General Contractors	2/18/2012	202 28th St. , Brooklyn, NY 11232	(718) 832-5700	info@donofrio.biz	Electrical Contractor			(718) 832-5772
T. Moriarty & Son, Inc.	2/17/2012	63 Creamer Street , Brooklyn, NY 11231	(718) 858-4800	abramovichb@tmoriarty.com	Electrical Contractor			(718) 624-4059
Vista Engineering Corp	6/13/2012	268 Truman Dr , Cresskill, NJ 07626-1722	(201) 568-3254		Electrical Contractor			(201) 568-9755
ARC Electrical & Mechanical Contractors Corp	4/3/2012	26 Delevan St. , Brooklyn, NY 11231	(718) 222-8162		Electrical Contractor			(212) 222-8165
Arnell Construction Corp	4/27/2012	110 York St , Brooklyn, NY 11201	(718) 852-8500		Electrical Contractor			(718) 596-4232
Darcon Construction, Inc.	3/20/2012	360 Meacham Ave , Elmont, NY 11003	(516) 358-2533	info@Darconinc.com	Electrical Contractor			(516) 488-6467
SJ Electric Inc	3/8/2012	228 Merrick Rd , Lynbrook, NY 11563-2622	(516) 596-3600	ramabile@sjeny.com	Electrical Contractor			(718) 643-7275
Jett Industries, Inc.	2/1/2012	P.O. Box 219 Route 7, Colliersville, NY 13747	(607) 433-2100		Electrical Contractor			(607) 433-2430

JH Reid General Contractor	3/20/2012	3230 Hamilton Blvd , Plainfield, NJ 07069	(732) 752-4050		Electrical Contractor			(732) 752-7878
Hellman Electric Corporation	3/20/2012	855 Brush Avenue , Bronx, NY 10465	(718) 931-9900		Electrical Contractor			(718) 931-9930
Welsbach Electric	3/20/2012	111-01 14th Ave, College Point, NY 11356	(718) 670-7900		Electrical Contractor			(718) 670-7999
Kel Mar Design Inc	3/20/2012	111 John St Rm 400 , New York, NY 10038-3126	(212) 285-0400	tmulvihill1@kmdinc.com	Electrical Contractor			(212) 285-0677
Racanelli Construction	2/1/2012	1895 Walt Whitman Road Ste. 1, Melville, NY 11747	(631) 454-1010	bdamato@racanelliconstruction.com	Electrical Contractor			(631) 454-9836
Wire To Water	5/23/2012	136 Gazza Blvd , Farmingdale, NY 11735-1420	(631) 777-7310		Electrical Contractor			(631) 777-7312
Judlau Contracting Inc.	3/20/2012	26-15 Ulmer Street , Flushing, NY 11354	(718) 554-2320	lkorgood@judlau.com	Electrical Contractor			(445) 445-8362
Simpson & Brown	3/20/2012	119 North Avenue W , Cranford, NJ 07016	(908) 276-2776		Electrical Contractor			(908) 272-2627
Kiewit Constr	3/20/2012	16 Trotter Dr , Medway, MA 02053-2299	(508) 533-1400		Electrical Contractor			(575) 533-1425
Bove Industries Inc.	2/17/2012	16 Hulse Road , East Setauket, NY 11733	(631) 331-8500	info@boveindustries.com	Electrical Contractor			(631) 331-8523
Sparrow Group	4/27/2012	3743 White Plains Rd , Bronx, NY 10467-5709	(718) 519-6600	jswinson@thesparrowgroup.org	Electrical Contractor			(718) 515-5109
Perfetto Contracting Co. Inc.	3/20/2012	250 Sixth St. , Brooklyn, NY 11215	(718) 858-8600	estimating@perfettocontracting.com	Electrical Contractor			(718) 858-8604
Selectric Electrical Contracting	2/1/2012	78-14 46th Avenue , Elmhurst, NY 11373	(718) 205-4198		Electrical Contractor			(718) 205-6297
The Earle Companies	2/4/2012	655 S Hope Chapel Rd , Jackson, NJ 08527-5202	(732) 657-8551		Electrical Contractor			(732) 657-9230
Admiral Construction SVCS. Corp.	3/20/2012	92 Magnolia Ave , Westbury, NY 11590-4718	(516) 333-2558	jose.caruncho@admiralconstruction.org	Electrical Contractor			(516) 333-2588
Fervent Electrical	2/14/2012	111 3rd St , Brooklyn, NY 11231-4807	(718) 246-9273		Electrical Contractor			(718) 246-9273
Cm & E Con.	2/1/2012	20 Corrielle St. , Fords, NJ 08863	(732) 738-5152		Electrical Contractor			(732) 738-5154
Coastal Pipeline Products	2/24/2012	55 Twomey Ave. , Calverton, NY 11933	(631) 369-4000		Electrical Contractor			(631) 369-4006
Vianini Pipe Co Inc	2/15/2012	39 County Line Rd , Branchburg, NJ 08876-3417	(908) 534-4021		Electrical Contractor			(908) 534-5011
Tully Construction Company Inc.	3/20/2012	127-50 Northern Blvd. , Flushing, NY 11368	(718) 446-7000		Electrical Contractor			(718) 446-6072
Phoenix Marine	5/25/2012	449 Washington Road , Sayreville, NJ 08872	(732) 390-2800		Electrical Contractor			(732) 390-2833
EIC Associates Inc.	3/20/2012	140 Mountain Ave Ste 303, Springfield, NJ 07081	(973) 315-0208	info@eicassociates.com	Electrical Contractor			(973) 315-0218
Siemens	2/23/2012	Expressway Plaza 2 Suite 203 , Roslyn Heights, NY 11577	(516) 484-3590		Electrical Contractor			(516) 484-7419
The Urban Group, Ltd.	3/6/2012	7608 Rockaway Blvd . Woodhaven.	(718) 521-1141	estimating@theurbanaroupltd.com	Electrical Contractor			(718) 521-1142

NY 11421

Turtle & Hughes	2/24/2012	1900 Lower Road, Linden, NJ 07036	(732) 574-3600	info@turtle.com	Electrical Contractor			(732) 396-1474
Perkan Concrete	3/15/2012	145-18 Liberty Ave., Jamaica, NY 11435	(718) 658-1814	perkan1@perkanconcrete.com	Electrical Contractor			(718) 658-7745
Difazio Industries	2/23/2012	38 Kinsey Place, Staten Island, NY 10303	(718) 720-6966		Electrical Contractor			(718) 816-5689
Granite Construction N.E., Inc.	3/20/2012	120 White Plains Rd., Tarrytown, NY 10591	(914) 606-3600	dave.mccarthy@gcinc.com	Electrical Contractor			(914) 631-1403
Northeast Remsco Construction	2/10/2012	1433 Routh 34 South Building B1, Wall Township, NJ 07727	(732) 557-6100	info@northeastconstruction.org	Electrical Contractor			(732) 736-8900
R S Painting	2/23/2012	57 Hancock St, Brooklyn, NY 11216-1901	(718) 467-3613		Electrical Contractor			(718) 467-3613
Reicon Group LLC	2/4/2012	1983 Richmond Ter, Staten Island, NY 10302-1201	(718) 816-8167		Electrical Contractor			(718) 816-8911
Women Work Construction (WWC) Corp.	2/11/2012	114 Spencer St., Staten Island, NY 10314	(718) 698-9577	pm@wwcontracting.com	Electrical Contractor			(718) 698-7309
Padilla Construction Services	3/20/2012	299 Main St., Westbury, NY 11590	(516) 338-6848	info@pcscst.com	Electrical Contractor			(516) 338-6920
Adam's European Contracting, Inc.	3/2/2012	589 Johnson Avenue, Brooklyn, NY 11237	(718) 417-9000	adamseuro@adamseuro.com	Electrical Contractor			(718) 417-1093
TJM Construction Corp	2/1/2012	420 Northern Blvd Ste 201, Great Neck, NY 11021-4800	(516) 773-9800	rsbuilds@aol.com	Electrical Contractor			(516) 773-9898
NJD Wiring & Electric Inc.	2/1/2012	21308 99th Ave, Queens Village, NY 11429-1135	(718) 479-5400		Electrical Contractor			(718) 479-3063
MFM Contracting Corporation	2/4/2012	335 Center Avenue, Mamaroneck, NY 10543	(914) 777-8292	amastrangelo@mfmcontracting.com	Electrical Contractor			(914) 777-0194
Barbaro Electric	3/20/2012	144 LODI STREET, Hackensack, NJ 07601	(201) 457-0844		Electrical Contractor			(201) 457-0840
Champion Alarm Systems	2/4/2012	4809 Avenue N, Brooklyn, NY 11234-3711	(718) 556-2494		Electrical Contractor			(800) 216-7009
Pavarini McGovern Construction	3/20/2012	770 Broadway Fl. 10, New York, NY 10003	(212) 907-0900	pmgmktg@pavarini.com	Electrical Contractor			(212) 907-0901
Meco Electric Company Incorporated	2/4/2012	56 West St, Staten Island, NY 10310-1921	(718) 273-3900		Electrical Contractor			(718) 273-5900
John P. Picone Inc.	3/20/2012	31 Garden Lane, Lawrence, NY 11559	(516) 239-1600	info@johnpicone.com	Electrical Contractor			(516) 239-1757
Apex Building Company	3/20/2012	75 W 126Th St, New York, NY 10027-3810	(212) 663-6288		Electrical Contractor			(212) 865-2157
Trinchese Iron Works	2/23/2012	9816 103rd Ave, Ozone Park, NY 11417-1640	(718) 848-1954		Electrical Contractor			(718) 835-6405
Tucci Equipment Rental Corp	3/17/2012	3495 Rombouts Ave, Bronx, NY 10475-1216	(718) 231-0425		Electrical Contractor			(914) 925-9167
Mega Contracting Inc.	2/1/2012	2260 46th St., Astoria, NY 11105	(718) 274-8880		Electrical Contractor	1	\$181,640.00	(718) 274-1463
Casabella Construction	5/4/2012	62-43 30th Avenue, Woodside, NY 11377	(718) 545-5501		Electrical Contractor			(718) 545-5502
Commerce	3/16/20	603 Heron Drive	(856) 241-		Electrical			(856) 241-

Construction Corporation	12	Unit One, Bridgeport, NJ 08014	0300		Contractor				2460
Barnard Construction Company, Inc.	3/20/2012	701 Gold Ave., Bozeman, MT 59715	(406) 586-1995	kelly.pavlik@barnard-inc.com	Electrical Contractor				(406) 586-3530
Watson Bowman Acme Corp	4/27/2012	95 Pineview Drive, Amherst, NY 14228	(716) 817-5462	wabo-cs@basf.com	Electrical Contractor				(716) 691-9239
Railroad Construction	3/20/2012	75-77 Grove Street, Paterson, NJ 07503	(973) 684-0362	bidgroup@rccmail.net	Electrical Contractor				(973) 684-1355
Paul J. Scariano Inc.	2/25/2012	12 Potter Avenue, New Rochelle, NY 10801	(914) 623-9222	est@pauljscariano.com	Electrical Contractor				(914) 623-9201
Siemens Building Technologies Inc.	3/6/2012	44 Us Highway 46, Pine Brook, NJ 07058-9387	(973) 575-6300		Electrical Contractor				(973) 575-7968
Johnson Controls, Inc. - Syosset Office	4/27/2012	6 Aerial Wy., Syosset, NY 11791	(631) 506-9960		Electrical Contractor				(516) 822-0592
Calcedo Construction Corp.	2/1/2012	10 Midland Ave., Port Chester, NY 10573	(914) 935-0000	info@calcedo.com	Electrical Contractor				(914) 935-0385
Galvin Brothers	3/20/2012	149 Steamboat Rd., Great Neck, NY 11024	(516) 466-3785	galvinbrothers@galvinbrothers.com	Electrical Contractor				(516) 466-3607
Contracting Drilling & Blasting LLC (CDB)	5/25/2012	1171 Beach Ave #103, Atlantic Beach, FL 32233-5727	(904) 241-4015		Electrical Contractor				(561) 243-7060
Case Foundation - Broomall Office	2/1/2012	450 Parkway P.O. Box 338, Broomall, PA 19008	(610) 353-0600		Electrical Contractor				(610) 353-8409
Trevcon Construction	3/20/2012	30 Church St., Liberty Corner, NJ 07938	(908) 580-0200		Electrical Contractor	1	\$181,640,000.00		(908) 580-0880
T.A. Ahern Contractor Corp.	3/20/2012	6924 49th Ave., Woodside, NY 11377	(718) 639-5880		Electrical Contractor				(718) 476-1979
Coastal Precast Systems frmly Concrete Precast Systems Inc	2/4/2012	1316 Yacht Dr Ste 307, Chesapeake, VA 23320-6362	(757) 545-5215		Electrical Contractor				(757) 545-6926
Maritime International Inc	2/16/2012	1186 Petroleum Pkwy, Broussard, LA 70518-8048	(337) 321-4240		Electrical Contractor				(337) 837-3610
Weeks Marine, Inc.	3/20/2012	4 Commerce Drive, Cranford, NJ 07016	(908) 272-4010		Electrical Contractor				(908) 272-4740
Gartech Electrical Contracting Corp.	2/3/2012	100 Hinsdale St, Brooklyn, NY 11207-2902	(718) 467-8007		Electrical Contractor				(718) 467-8008
Laws Construction Corp.	2/28/2012	34 Irvington Street, Pleasantville, NY 10570	(914) 741-2100		Electrical Contractor				(914) 741-2150
Professional Pavers Corp.	2/29/2012	4 Court Square Fourth Floor, Long Island City, NY 11101	(718) 784-7835		Electrical Contractor				(718) 784-7896
ARK Systems Electric Corp	2/1/2012	2708 42nd Road, Long Island City, NY 11101	(718) 482-3922	arkelectric@arkelectric.com	Electrical Contractor				(718) 482-3923
Summit Construction Services Group	5/19/2012	230 Ferris Ave., White Plains, NY 10603	(914) 390-9200		Electrical Contractor				(914) 390-9201
KJ Construction	4/27/2012	405 Lexington Ave Ste 263, New York, NY 10174-0002	(917) 368-8130		Electrical Contractor				(212) 286-1481
Volmar Construction	2/15/2012	4400 2nd Ave., Brooklyn, NY 11232	(718) 832-2444	info@volmar.com	Electrical Contractor				(718) 832-1492

Northeast Remsco Construction	6/20/2012	1433 Highway 34 South Building B, Farmingdale, NJ 07727	(732) 557-6100	marc.dodeman@aldwellmarine.com	Electrical Contractor			(732) 736-8904
Intercontinental Construction	4/27/2012	180 Lexington Avenue Second Floor, Passaic, NJ 07055	(973) 365-1555		Electrical Contractor			(973) 365-1553
China Const America Inc / CCA Civil Inc	2/10/2012	525 Washington Blvd FL 2 , Jersey City, NJ 07310	(201) 876-2788	LEE_WILLA@CHINA CONSTRUCTION. US	Electrical Contractor			(201) 876-6737
Oliveira Contracting	4/27/2012	15 Albertson Ave, Albertson, NY 11507	(516) 333-6343		Electrical Contractor			(516) 333-6367
Tri State Electric	2/1/2012	120 Route 9W, Haverstraw, NY 10927-1400	(845) 429-7656		Electrical Contractor			(845) 429-7664
EAI Inc	4/27/2012	50 Prescott St, Jersey City, NJ 07304	(201) 395-0010		Electrical Contractor			(201) 395-0020
Perfetto Enterprises Company Inc.	3/20/2012	2319 Richmond Terrace, Staten Island, NY 10302	(718) 442-4212		Electrical Contractor			(718) 442-4233
Safecon Builders	3/6/2012	3957 Flatlands Ave, Brooklyn, NY 11234	(718) 677-8190	estimating@safecongc.com	Electrical Contractor			(718) 677-8191
GEOD Corporation	2/1/2012	24 Kanouse Rd, Newfoundland, NJ 07435-1510	(973) 697-2122		Electrical Contractor			(973) 838-6433
E & A Restoration Inc	4/3/2012	40 Willis Ave Suite 200, Syosset, NY 11791	(516) 921-7030	info@earestoratio n.com	Electrical Contractor			(516) 921-7035
Hunter Roberts Construction Group - New York Office	2/1/2012	55 Water Street 51st Fl., New York, NY 10281	(212) 321-6800		Electrical Contractor			(212) 321-6990
Ashnu International, Inc.	2/14/2012	5809 28th Avenue, Woodside, NY 11377	(718) 267-7590	info@ashnuintern ational.com	Electrical Contractor			(888) 663-4991
Cruz Enterprises LLC	2/25/2012	4500 Mercantile Plaza Dr, Fort Worth, TX 76112	(682) 667-0098	sales@cruzenterp rises.net	Electrical Contractor			(469) 574-5177
KSK Construction Group LLC	6/17/2015	136 N 10th St, Brooklyn, NY 11211-1106	(718) 290-9111	acar@imarllc.com	Electrical Contractor			(718) 290-9112
AARCO Environmental Services	5/11/2012	50 Gear Ave., Lindenhurst, NY 11757	(631) 586-5900		Electrical Contractor			(631) 586-5910
MST General Contracting Restoration Inc.	5/19/2012	51-11 34th Street, Long Island City, NY 11101	(718) 707-9700	contracting@mst gc.us	Electrical Contractor			(718) 707-9701
Lanmark Group, Inc.	2/14/2012	2125 Mill Avenue, Brooklyn, NY 11234	(347) 462-4000	info@lanmarkgc.c om	Electrical Contractor			(347) 462-4001
Skanska USA - Virginia Beach	3/20/2012	295 Bendix Road Ste 400, Virginia Beach, VA 23452	(757) 420-4140		Electrical Contractor			(757) 420-3551
P&T II Contracting Corp	3/20/2012	2417 Jericho Tpke, Garden City Park, NY 11040-4710	(718) 206-0245		Electrical Contractor			(718) 206-0083
Commerce Electrical	3/9/2012	40-12 28th Street, Long Island City, NY 11101-2629	(718) 233-4955		Electrical Contractor			(347) 368-4560
Cashman Dredging and Marine Contracting Company LLC	3/20/2012	549 South Street P.O. Box 692396, Quincy, MA 02169	(617) 890-0600	info@jaycashman .com	Electrical Contractor			(617) 890-0606
E.E. Cruz & Company, Inc.	3/20/2012	32 Avenue of the Americas 13th Floor, New York, NY 10013	(212) 431-3993	jmckenn@eecruz. com	Electrical Contractor			(732) 431-3396
R.J. Industries Inc.	2/23/2012	75 East Bethpage	(516) 845-		Electrical			(516) 454-

	12	Road P.O. Box 349, Plainview, NY 11803	9772		Contractor			1759
Conti Of New York LLC	5/16/2012	2045 State Route 27, Edison, NJ 08817-3334	(908) 791-4800		Electrical Contractor			(212) 742-0395
Akro General Contracting, Inc	3/28/2012	5430 43rd St, Maspeth, NY 11378-1027	(718) 304-7506		Electrical Contractor			(718) 715-1548
Genrus Corp	2/28/2012	20031 Linden Blvd, Saint Albans, NY 11412-3200	(718) 291-5789	nigel@genrusconstruction.com	Electrical Contractor			(718) 291-5824
Iron Bridge Constructors	2/4/2012	688 Nassau Street, North Brunswick, NJ 08902	(732) 438-9940		Electrical Contractor			(732) 640-0844
Halmar International LLC/ARC Const/S.A. Healy Co & CCA Civil	2/1/2012	1 Blue Hill Plz, Pearl River, NY 10965-3104	(845) 735-3511	clarsen@halmarinternational.com	Electrical Contractor			(845) 735-3388
Gem-Quality Corporation	2/18/2012	816 Caton Ave, Brooklyn, NY 11218-2604	(718) 421-9338		Electrical Contractor			(718) 421-9338
Malcolm Parick Corporation	2/29/2012	55 Webster Ave, New Rochelle, NY 10801	(914) 633-3755		Electrical Contractor			(914) 633-1415
Posillico Civil Inc	2/18/2012	131 20th Ave, College Point, NY 11356-2437	(718) 353-9616		Electrical Contractor			(631) 249-8124
Power & Process Control	2/3/2012	20 Commerce Dr, Allendale, NJ 07401-1638	(201) 934-5001	joe.lambert@control-associates.com	Electrical Contractor			(201) 934-5521
Kunj Construction Corp.	5/24/2012	23 Valentine Road, Ivyland, PA 18974	(855) 633-0248	info@kunjcc.com	Electrical Contractor			
MVM Construction LLC	2/14/2012	100 Oak St, Mount Vernon, NY 10550	(914) 667-3200		Electrical Contractor			(914) 667-3203
The Espinosa Group Inc	2/29/2012	326 Hackensack St, Carlstadt, NJ 07072-1039	(201) 491-6664	mpge@espinosagroup.com	Electrical Contractor			(201) 621-4315
Oldcastle Middle Island Inc	6/23/2012	114 Rocky Point Rd, Middle Island, NY 11953-1216	(631) 924-7400		Electrical Contractor			
TDA Construction	3/15/2012	200 White Plains Road 1st Floor, Tarrytown, NY 10591	(914) 524-8323		Electrical Contractor			(914) 237-6146
TESTA CORPORATION	3/9/2012	226 Ridge Rd, New City, NY 10956-6911	(201) 483-0155		Electrical Contractor			
J. Kokolakis Contracting Inc. - Northeast Regional Office	3/2/2012	1500 Ocean Ave, Bohemia, NY 11716	(631) 744-6147		Electrical Contractor			(631) 744-6156
Berma Construction Corp	4/27/2012	14946 Tahoe St, Ozone Park, NY 11417-3029	(718) 374-3769		Electrical Contractor			
Expedite Construction and Management Services Inc.	6/20/2012	345 W. 86th St, Suite 303, New York, NY 10024	(212) 787-5989	info@expediteconstruction.com	Electrical Contractor			(212) 787-5399
Unicorn Construction Enterprises Inc	3/2/2012	3 Unicorn St, Chestnut Ridge, NY 10952-5120	(845) 352-2012	info@unicornconstruction.com	Electrical Contractor			(201) 782-9191
Forte Construction Corp	4/27/2012	926 Lincoln Ave, Ste. C, Holbrook, NY 11741	(631) 589-8600	estimating@fortecorp.biz	Electrical Contractor			(631) 567-7630
Northeast Precast	6/1/2012	92 Reese Rd, Millville, NJ 08332-6228	(856) 765-9088		Electrical Contractor			(856) 765-9087
TransDvn	4/2/2012	405 Murrav Hill	(201) 386-		Electrical			(201) 386-

	5	Pkwy , East Rutherford, NJ 07073-2136	2383			Contractor			2387
Xbr Inc	3/20/2012	35-12 19th Avenue, Suite 2E, Astoria, NY 11105	(718) 606-0072			Electrical Contractor			(718) 606-0092
Impact Absorption Incorporated	2/25/2012	233 E Shore Rd , Great Neck, NY 11023-2433	(516) 498-1050			Electrical Contractor			(718) 225-2845
Anthony Rivara Contracting LLC	3/17/2012	3511 36th St , Astoria, NY 11106-1357	(718) 433-4370			Electrical Contractor			
E & A SUPPLY Corporation	2/1/2012	22 Southern Blvd , Nesconset, NY 11767-1086	(631) 366-3980			Electrical Contractor			
Rockwall Group Enterprises, Inc.	5/5/2012	1361 E 16th St , Brooklyn, NY 11230-6042	(213) 337-9648			Electrical Contractor			
Recine Materials Corporation	3/8/2012	147 E 2nd St Ste 101 , Mineola, NY 11501-3532	(516) 833-6481			Electrical Contractor			
J.T. Cleary Inc.	6/15/2012	100 Red Schoolhouse Rd. Ste. A-12, Spring Valley, NY 10977	(845) 352-1099	mail@jtcleary.com		Electrical Contractor			(845) 352-1098
Fresh Meadow Electrical Contractors LLC	5/12/2012	65-01 Fresh Meadow Lane , Fresh Meadows, NY 11365	(718) 460-4000			Electrical Contractor			(718) 460-2071
Alpha Construction Resources, Inc.	6/22/2012	1010 Northern Blvd Ste 208 , Great Neck, NY 11021-5320	(631) 629-4608			Electrical Contractor			(631) 629-4607
Energize Electrical Contracting Corp	4/27/2012	6035 Fresh Pond Road Suite 3, Maspeth, NY 11378	(718) 366-3730			Electrical Contractor			(718) 366-3731
EIA Inc	3/9/2012	3100 47th Ave , Long Island City, NY 11101-3013	(646) 827-1234			Electrical Contractor			(212) 206-8877
Kane-Davey associates	4/28/2012	2 Schooner Ln , Milford, CT 06460-3376	(203) 255-1354	CATHYSULLIVAN@KANE-DAVEY.COM		Electrical Contractor			(203) 255-3018
Evs Management Inc	2/4/2012	2538 E 27th St , Brooklyn, NY 11235-2017	(347) 816-7369			Electrical Contractor			(347) 713-6692
Specrite Designs Llc	5/15/2012	1054 Central Industrial Dr , Saint Louis, MO 63110-2304	(314) 633-4956	mwilding@specritedesigns.com		Electrical Contractor			(314) 771-4597
Navillus Contracting / Navillus Tile Inc.	2/1/2012	575 Fifth Avenue 29th Floor, New York, NY 10017	(212) 750-1808	masaad@navillusinc.com		Electrical Contractor			(212) 750-4015
Sheridan Electric	3/20/2012	24 Matinicock Ave , Port Washington, NY 11050-2146	(516) 504-3537			Electrical Contractor			
Indo Construction	3/20/2012	40 Austin Blvd , Commack, NY 11725-5750	(631) 686-5668			Electrical Contractor			
American Dream Infinity Corporation	4/27/2012	120 Beach 26th St Apt 409 , Far Rockaway, NY 11691-2231	(516) 567-2314	info@americandreaminfinity.com		Electrical Contractor			(718) 387-0869
Tz Construction (Ny) Inc	6/12/2012	191 Highland Pl , Brooklyn, NY 11208-1292	(917) 528-7975			Electrical Contractor			
Carlton Contracting Corp	6/21/2012	15 Laurie Ln , Monsey, NY 10952-2006				Electrical Contractor			
E.W. Howell Company - Plainview	3/20/2012	245 Newtown Road , Plainview, NY 11803	(516) 921-7100	info@ewhowell.com		Electrical Contractor			(516) 921-0119

Planholders

Company Name	Address	Phone	Email	Fax
Williams Stone Company, Inc.	1158 Lee Westfield Road , East Otis, MA 01029	(800) 832-2052		(413) 269-6148
AC Dellovade inc	108 Cavasina Dr , Canonsburg, PA 15317-1771	(724) 873-8190		(724) 873-8187
Sage & Coombe Architects	12-16 Vestry St. Fifth Floor, New York, NY 10013	(212) 226-9600	office@sageandcoombe.com	(212) 226-8456
Vamco Sheet Metal	3090 Route 9 , Cold Spring, NY 10516	(845) 265-4563		(845) 265-4013
Metals 2000 Inc	254 E 68th St Apt 5E , New York, NY 10065-6013	(212) 249-5448		(212) 249-5465
National Environmental Safety	12-17 38th Ave. 2nd Fl., Long Island City, NY 11101	(718) 361-0044	national@nesco.cc	(718) 361-0846
Central Mechanical Systems Inc	2060 Eastern Pkwy , Brooklyn, NY 11207	(718) 452-7700		(718) 574-3924
C.D.E. Air Conditioning Co Inc	321 39th St , Brooklyn, NY 11232	(718) 788-1040	briana@cdeair.com	(718) 788-2046
UTB-United Technology, Inc	146 East 2nd Street , Mineola, NY 11501	(516) 326-1160	info@utb1.com	(516) 326-1162
Meadow Mechanical Corp	6501 Fresh Meadow Ln , Fresh Meadows, NY 11365-2011	(718) 961-6634		(718) 358-4378
Tec Systems	4725 34th St FL 4 , Long Island City, NY 11101-2436	(718) 784-7955		(718) 247-2150
Johnson Controls Inc	4 Pine West Plz Ste 405 , Albany, NY 12205-5515	(518) 862-2613		(518) 869-7812
Delphi Plumbing & Heating Inc	242 43rd St , Brooklyn, NY 11232	(718) 369-7248	info@delphiph.com	(718) 369-7265
Apex Mechanical Corp.	2800 Webster Avenue , Bronx, NY 10458	(718) 220-4200	amc@apexmechcorp.com	(718) 584-2718
Franco Belli Plumbing & Heating	165 2nd Ave , Brooklyn, NY 11215	(718) 965-4976		(718) 965-2737
P&C Fence Company	60 Radel St , Bridgeport, CT 06607	(203) 375-9780	info@pandcfencecompany.com	(203) 386-9574
Corr Tech Inc.	25 S. St. Unit B-1, Hopkinton, MA 01748	(508) 435-0090	spaul@corrtech-inc.com	(508) 435-0096
VPH Mechanical Corp	15216 84th Ave , Jamaica, NY 11432	(718) 658-5100		(718) 658-5280
Eagle 1 Mechanical Inc	1962 Hazen St , East Elmhurst, NY 11370-1211	(718) 932-9836		(718) 932-9837
Meta-Lite Inc	93 Entin Rd , Clifton, NJ 07014-1500	(973) 779-8844	mike.coppola@meta-lite.com	(201) 368-8190
Great Lakes Dredge & Dock Co	2747 Richmond Terrace , Staten Island, NY 10303-0311	(718) 981-2700		(718) 574-2918
Clean Air Co	428 New Brunswick Ave , Fords, NJ 08863-2100	(732) 738-8818		(732) 738-4914
Bayshore Concrete Products	1134 Bayshore Rd , Cape Charles, VA 23310-3246	(757) 331-2300		(757) 331-2501
TJ Equipment Co	510 Abbott Dr Ste B , Broomall, PA 19008-4304	(610) 328-3001		(610) 544-7515
Jaidan Industries	16 Capi Lane , Port Washington, NY 11050	(516) 944-3650	info@jaidan.com	(516) 944-0052
Beach Erectors	54 Alabama Ave , Island Park, NY 11558-1116	(516) 432-5757		(516) 432-6417
Wittmann Plumbing Associates Inc	100 Hinsdale St , Brooklyn, NY 11207-2902	(718) 345-8000		(718) 345-8050
Reinforced Earth Company	133 Park Street , North Reading, MA 01864	(978) 664-2830		(978) 664-2831
Unique Woodworking	139 S 4th Ave , Mount Vernon, NY 10550-3106	(914) 664-3077		(914) 664-0479
Municipal Land Survey PC	10 Sylvia Ln , Middle Island, NY 11953-1949	(631) 345-2658		(631) 924-1270
Mozart Iron Craft Corp.	, New York City, NY	(718) 472-2052		(718) 472-2053
DDC Air Conditioning Ex-Air Incorporated	3529 9th St , Astoria, NY 11106-5103	(718) 803-3575		(718) 803-2374
Custom Metalcrafters & Erectors	16 McKinley Ave , Albertson, NY 11507-1910	(516) 747-2020		(516) 747-1243

RAMS Mechanical	120 Ludlow St , Yonkers, NY 10705-1159	(914) 966-7100		(914) 966-7100
GZA GeoEnvironmental	249 Vanderbilt Dr , Norwood, MA 02062	(781) 278-3700		(781) 278-3700
Professional Line Painting	296 Grand Concourse , Bronx, NY 10451-5450	(718) 220-7525		(718) 367-3624
NorthStar Mechanical	48 Grattan St , Brooklyn, NY 11237-1602	(718) 532-0051		(718) 532-0073
Vista Engineering Corp	1030 Pleasantville Terrace , Ridgefield, NJ 07657	(201) 945-9434	vistaengineering@yahoo.com	(201) 945-9438
Pacific Plumbing & Heating Corp.	378 McGuinness Boulevard , Brooklyn, NY 11222	(718) 472-3903		(718) 472-3904
Seismic Energy Products	518 Progress Way , Athens, TX 75751	(903) 675-8571		(903) 677-3993
North Shore Climate Control	82-2 Lake Avenue South , Nesconset, NY 11767	(631) 656-0300		(631) 656-0302
Accurate Plumbing & Heating Corp	2242 Hylan Blvd , Staten Island, NY 10306-3227	(718) 980-1148		
Universal Security Systems	310 Oser Ave , Hauppauge, NY 11788-3608	(631) 951-0604		(631) 951-0717
Allen Architectural Metals	100 Homer Dr , Talladega, AL 35160-6372	(256) 761-2609		(256) 761-1967
MJ Fein & Company Mid Atlantic	383 Ridgedale Ave Ste 7 , East Hanover, NJ 07936-1400	(973) 887-8222		(973) 887-8222
CMC Rebar	1344 Ballentine Blvd , Norfolk, VA 23509-0229	(757) 625-4201		
Achilles Constr Co Inc	262 Green St , Brooklyn, NY 11222- 1208	(718) 389-4717		(718) 389-4719
TransTech Engineering Services, PC	1594 State St , Schenectady, NY 12304-1502	(800) 724-6306		(518) 370-5538
Control Technologies Inc	101 Fairchild Ave Ste 5 , Plainview, NY 11803-1725	(516) 605-0833		(516) 605-0834
Darling Landscaping & Design	215 Atlantic Ave , Hempstead, NY 11550-1137	(516) 742-0407		(516) 294-1474
Abtron Associates	60 A Corbin Ave. , Bayshore, NY 11706	(631) 392-1330		(631) 392-1328
Rytec Corporation	One Cedar Parkway , Jackson, WI 53037	(262) 339-7450	bhanrahan@rytecdors.com	(262) 677-6504
Arch Insurance Co	139 N Los Robles Ave , Pasadena, CA 91101-1707	(626) 639-5253		(626) 639-5210
Structural Stone, LLC	285 Smith St. , North Kingstown, RI 02852	(401) 667-4969		(401) 667-5969
The SMK Group Inc	55 Drew Ct , Manalapan, NJ 07726-5117	(732) 713-3305		(732) 536-5319
BCM Consulting	23 Poplar St , Massapequa, NY 11758-2421	(516) 541-2246		
Delex Fairfax Integrated Security	1 Penn Plz Suite 6165 , New York, NY 10119-0002	(646) 265-6093		(212) 290-8089
Welkin Mechanical	14-45 117th Street , College Point, NY 11356	(718) 554-2800	info@welkinmechanical.com	(718) 554-2839
Stokes Creative Group, Inc	1666 Rt. 206 , Vincentown, NJ 08088	(609) 859-8400	info@stokescg.com	(609) 859-8006
Vinyl Tech Window MFG Corporation	1449 Richmond Ter , Staten Island, NY 10310-1114	(718) 727-8600		(718) 727-8684
Riverview Disposal LLC	745 Teneyck Ave , Lyndhurst, NJ 07071-2925	(914) 305-0922	jrodriguez@riverviewdisposal.com	
JOHNSON SECURITY BUREAU, INC.	609 Walton Ave , Bronx, NY 10451- 5235	(718) 402-3600	info@johnsonsecuritybureau.com	(718) 402-3934
Conair Corp	246 Broadway , New Hyde Park, NY 11040-5302	(516) 294-8860		(516) 294-8869
Herrick Feinstein LLP	2 Park Ave , New York, NY 10016- 5675	(212) 592-1400		
RJR mechanical Inc	5809 28th Ave , Woodside, NY 11377-7831	(718) 204-1380		
SCHOELLHORN-ALBRECHT MACHINE COMPANY	575 Rudder Rd Ste 105 , Fenton, MO 63026-2005	(314) 351-3333		(314) 351-5780
Geocomp	2976 Northern Blvd Floor 5 , Long Island City, NY 11101-2822	(845) 863-7007		(212) 558-9091
Nasdi LLC	26 Bay St , Staten Island, NY 10301-2555	(718) 273-2788		

Alpha Telecommunications Inc	34 Silver St , Elmont, NY 11003-3621	(631) 932-5742		
bidocean	, Bellingham, WA	(970) 247-4411		
The Blue Book Building and Construction Network	(800 E. Main Street) P.O. Box 500, Jefferson Valley, NY 10535	(800) 431-2584	info@thebluebook.com	(914) 243-0287
KSA PROTECTION CORPORATION	, Flushing, NY	(718) 528-2515		
Tri-County Window Tinting, Inc.	63 Heisser Ct , Farmingdale, NY 11735-3310	(516) 753-9260		
RJI Mechanical	1815 129th St , College Point, NY 11356-2413	(718) 445-5180		
Lexington Technologies	99 Rome St , Farmingdale, NY 11735-6606	(631) 755-8660		(631) 794-2482
GEI Consultants Inc	1301 Trumansburg Rd , Ithaca, NY 14850-1397	(607) 216-8955		(607) 274-7577
Park Ave International Contracting corporation	316 W 71st St , New York, NY 10023-3502	(212) 994-2688		
American Curtain Wall	103 Otis St , West Babylon, NY 11704	(631) 920-5122		
Lincoln Air Corp	14746 76th Rd , Flushing, NY 11367-3140	(718) 261-2424		
City of New York Parks and Recreation	Olmsted Center, Flushing Meadows Corona Park , Flushing, NY 11368	(718) 760-6600		(718) 760-6666
B & Y Consulting Corp	635 Park Rd , Morris Plains, NJ 07950	(973) 451-0145		(973) 206-2008
NI Marine Corporation	536 Columbia St , Brooklyn, NY 11231-1930	(718) 855-6352		
Bridge Preservation/NYS DOT	50 Wolf Rd , Albany, NY 12205-2645	(518) 457-6195		
Ziggurat Solutions LLC	60 N Prospect Ave , Lynbrook, NY 11563-1336	(212) 729-5799		
Quality Control Laboratories LLC	25-26 50th Street , Woodside, NY 11377	(718) 545-6064		(718) 545-6074
McElroy Deutsch & Mulvaney	88 Pine St Ste 2400 , New York, NY 10005-1813	(212) 483-9490		
Unique Metal Concepts LLC	1401 Cardinal Dr , Bensalem, PA 19020-4404	(267) 294-6895		
D Alan Arborists LLC	148 S Long Beach Ave , Freeport, NY 11520-4356	(631) 838-8607		
Chinatown Plumbing & Heating	153 Centre St , New York, NY 10013-4126	(212) 966-9735		
Cianbro Fabrication & Coating Corp	333 Hunnewell Ave , Pittsfield, ME 04967-3511	(207) 679-2401		
Open Systems Metro	258 Route 117 By-Pass Road , Bedford Hills, NY 10507	(914) 241-0057		(914) 241-0058
ALBERT K BUTZEL LAW OFFICES	249 W 34th St Rm 400 , New York, NY 10001-2815	(212) 643-0375		(212) 643-0376
The Cost Benefit Group LLC	304 Park Ave S Fl 11 , New York, NY 10010-4305	(516) 897-9728		(516) 941-0798
Joes Pest Control	1007 Carroll St , Brooklyn, NY 11225-1908	(718) 493-1845		
D&L Installations	230 Knickerbocker Ave , Bohemia, NY 11716-3140	(917) 560-2706		(917) 589-6310
Fidelity & Deposit Company Of Maryland	1400 American Ln , Schaumburg, IL 60196-5452	(847) 605-6000		
Kenseal Constr Products Corp	2132 Borden Ave , Long Island City, NY 11101-4518	(718) 937-5490		(718) 937-6635
Wcd Window Coverings Inc	1711 Route 9W , Lake Katrine, NY 12449-5426	(845) 336-4511		(845) 336-2071
Landform LLC	76 Storer Ave , New Rochelle, NY 10801-3612	(646) 996-3557		
Active Plumbing & Heating Corp	1143 Nostrand Ave , Brooklyn, NY 11225-5532	(718) 221-8401		
Eastern Plumbing & Mechanical Contracting Inc.	1414 65th St. , Brooklyn, NY 11219	(718) 837-5374	easternplumbing@optonline.net	(718) 234-7892
HSE Contractors Inc	14129 Pershing Cres Apt 141 , Jamaica, NY 11435-2062	(646) 202-9313	scheduling.ny@hsecontractors.com	(646) 755-3353
Environmental Policy Service	500 W 111th St Apt 5G . New York.	(212) 316-		

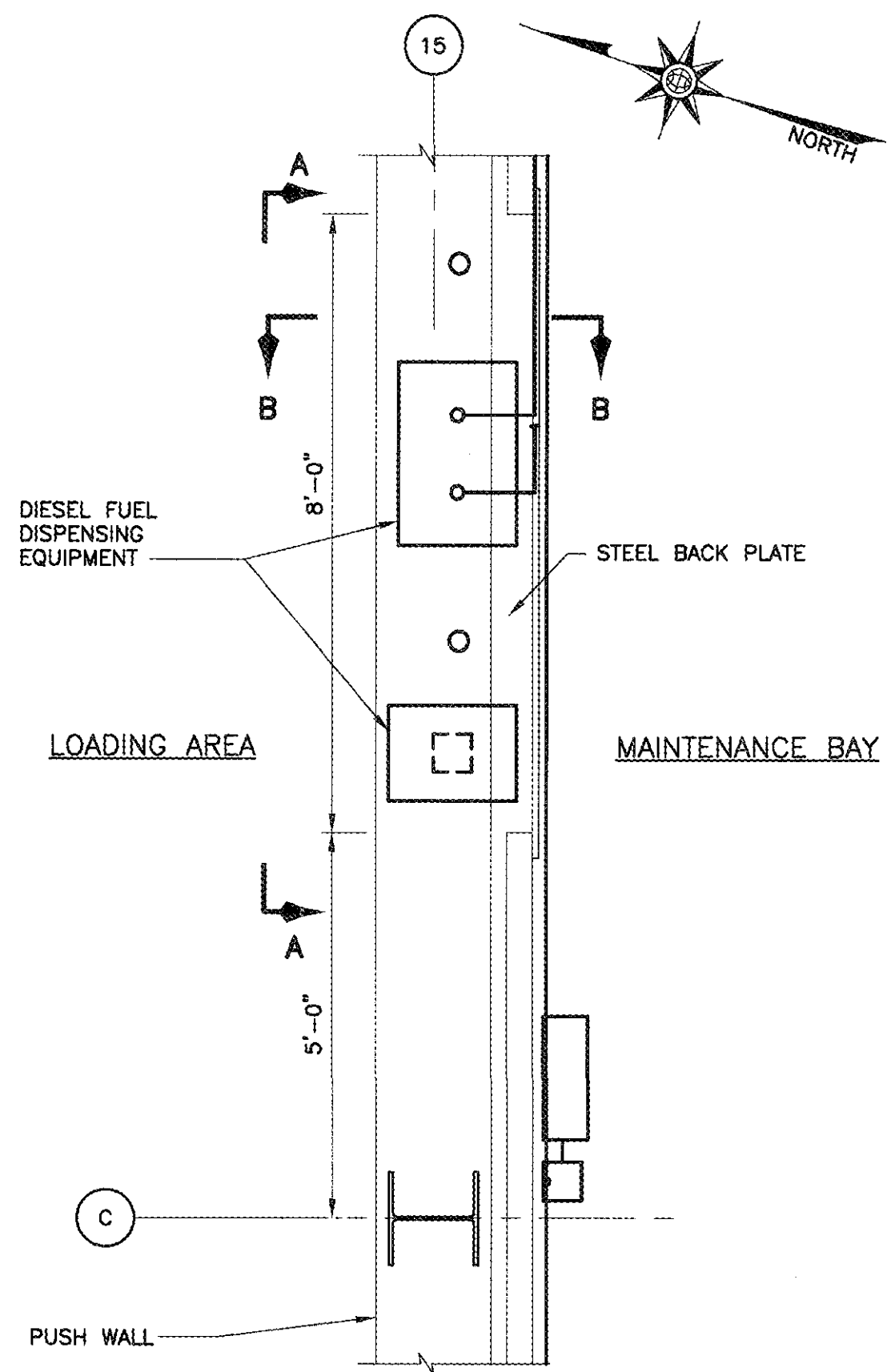
	NY 10025-1983	5045		
Manhattan Media LLC	79 Madison Ave Fl 16 , New York, NY 10016-7807	(212) 268-8600		
Johns Welding	9410 Lodi Covert Townline Rd , Interlaken, NY 14847-9736	(607) 532-4144		
Nolan's Art Llc	5 Hoyt Ave , Glens Falls, NY 12801-3062	(518) 683-3406		
General Recycling & Trade	1435 1st Ave , New York, NY 10021-3330	(212) 472-4929		
NWE LLC	5 S Bayview St , Fairhope, AL 36532-3401	(251) 338-1176		
Industrial Fiberglass Specialties Inc	35245 Pine Rd S , Stapleton, AL 36578-3083	(251) 937-7303		
DAISY CHRISTIE inc	460 E 95th St Apt 1 , Brooklyn, NY 11212-2542	(347) 761-7312		
Warsaw Burstein Cohen Schlesinger & Kuh, LLP	555 5th Ave , New York, NY 10017-2416	(212) 984-7807		(212) 972-9150
NYC Department of Design & Construction (NYCDDC)	30-30 Thomson Ave. , Long Island City, NY 11101	(718) 391-1000		(718) 391-2600

Contracts

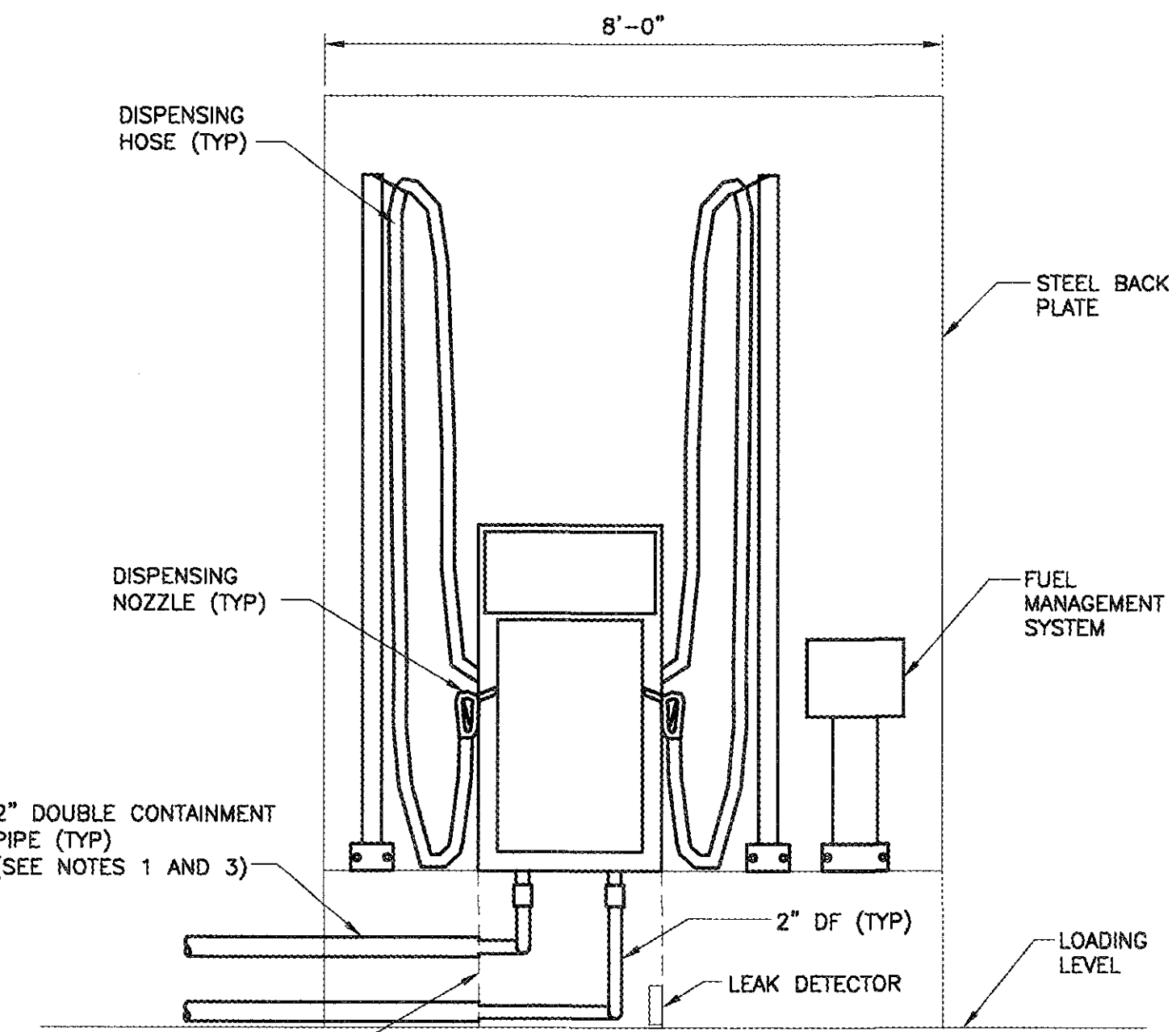
Classification	Conditions	Bonding	Bid Date	Bids To	Bid Type
General Contractor		Bid:10%,Perf:100%,Pay:100%	6/28/2012	Owner	Open Bidding
Electrical Contractor		Bid:10%,Perf:100%,Pay:100%	6/28/2012	Owner	Open Bidding

History

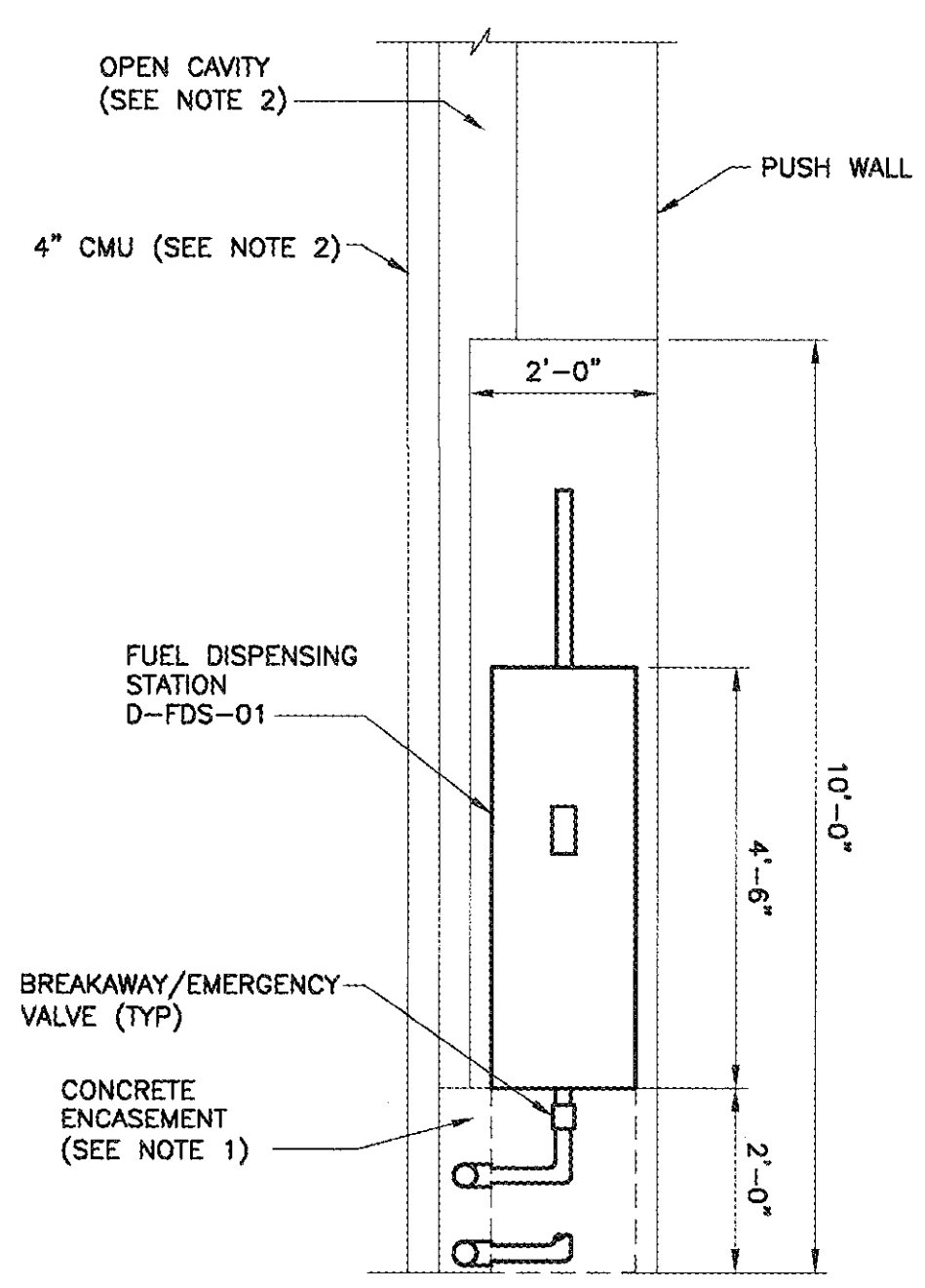
User	Viewed	First Viewed Date	Currently Tracked?	Date Tracked
Adam Sweet	True	11/2/2016	False	



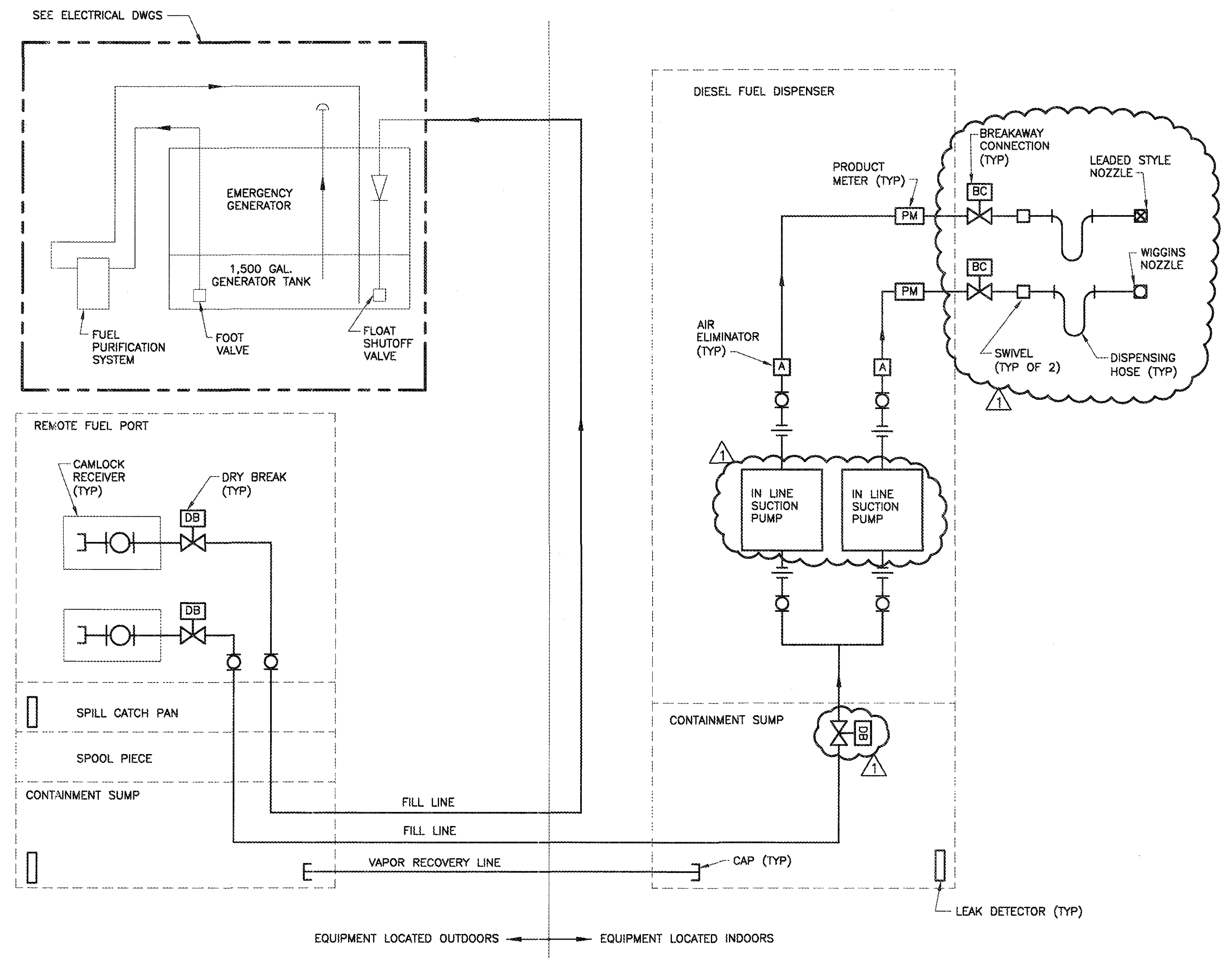
ENLARGED PLAN
SCALE: 1/2"=1'-0"



SECTION A
SCALE: 1/2"=1'-0"



SECTION B
SCALE: 1/2"=1'-0"

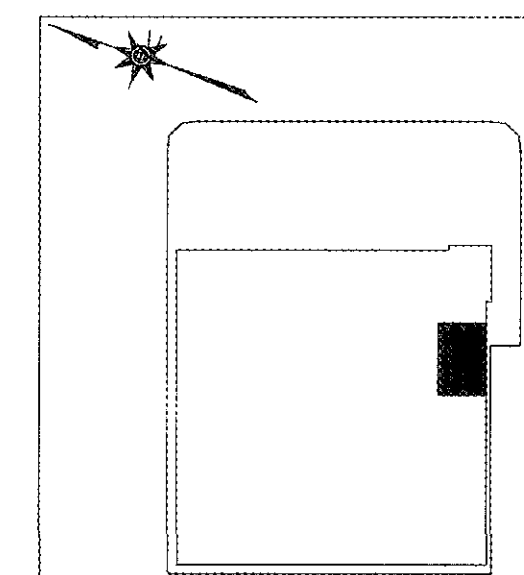


DIESEL FUEL DISPENSING SYSTEM - SCHEMATIC DIAGRAM
SCALE: NTC

NOTES:

1. ALL FILL AND VAPOR RECOVERY LINES PASSING THROUGH THE BUILDING SHALL BE ENCASED IN CONCRETE WITH NO OTHER PIPING SYSTEM.
2. SEE STRUCTURAL DRAWINGS FOR WALL DETAILS AND CAVITY OPENING.
3. SUPPLY AND VAPOR RECOVERY LINES ARE DOUBLE CONTAINMENT PIPES WITH 2" SCHEDULE 40 T304L STAINLESS STEEL CARRIER PIPE AND 4" UL FRP CONTAINMENT PIPE. SEE SPECIFICATION FOR DETAILS.

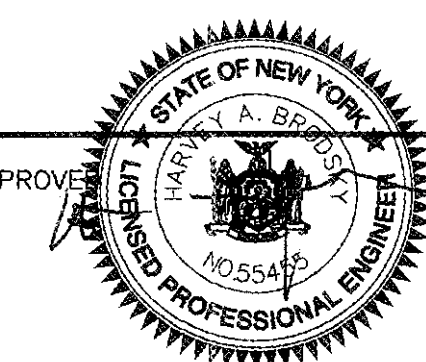
WARNING
IT IS A VIOLATION OF SECTION 7209.2 OF THE NEW YORK STATE EDUCATION LAW FOR ANY PERSON, UNLESS ACTING UNDER THE DIRECTION OF A LICENSED PROFESSIONAL ENGINEER, TO ALTER IN ANY WAY PLANS, SPECIFICATIONS, PLATS OR REPORTS TO WHICH THE SEAL OF A PROFESSIONAL ENGINEER HAS BEEN APPLIED. IF AN ITEM BEARING THE SEAL OF A PROFESSIONAL ENGINEER IS ALTERED, THE ALTERING ENGINEER SHALL AFFIX TO THE ITEM HIS SEAL AND THE NOTATION "ALTERED BY" FOLLOWED BY HIS SIGNATURE, THE DATE, AND A SPECIFIC DESCRIPTION OF THE ALTERATION.



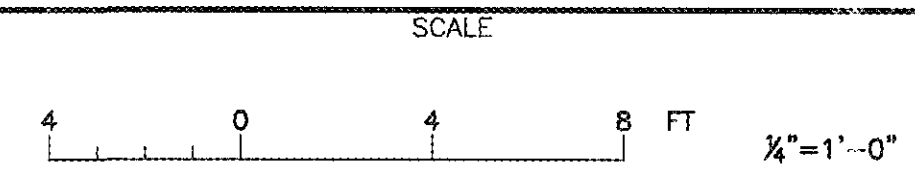
FILE: K:\DSNY\DRAWINGS\A EAST 91ST STREET\FINAL DESIGN\ADDENDUM 5\DSNYAM2191 1:1 02/29/12 11:58 GH-C

GREELEY AND HANSEN
111 BROADWAY, SUITE 2101
NEW YORK, NEW YORK 10006

DESIGNED: MC
DRAWN: TS
CHECKED: JHL



NO.	DATE	APPD	REVISION
1	MAR 2012	JHL	ADDENDUM NO. 5



CITY OF NEW YORK
DEPARTMENT OF SANITATION
MARINE EXPORT OF SOLID WASTE
EAST 91ST STREET
MARINE TRANSFER STATION

CONTRACT NO. 3
MECHANICAL
DIESEL FUEL DISPENSING SYSTEM
PLAN, SECTIONS, & SCHEMATIC DIAGRAM

FILE NAME: DSNYAM2191
DWG: M-219
SHEET NO.: 553 OF 799
DATE: MAY 2010 REV: 1