

CAT#:	Job:	Type:
-------	------	-------



Features

Built for superior LED performance packed with features

- Stylish vertically finned die-cast lower heatsink and aluminum driver box above the canopy
- Designed for optimal thermal transfer and easy installation
- Made from low-copper marine-grade cast aluminum
- All-inclusive housing provides an integral wiring and driver compartment for ease of installation
- Replaceable LED module enables future upgrades/ service for the LED light engine
- Thermal frame technology provides state-of-the-art passive cooling in the most demanding environments
- Light outputs ranging from 4,000 to 16,000 lumens using up to 480 LEDs
- Drop lens for best in class distribution and vertical footcandels on dispensers

Certifications/Listings



Ordering Information

FLED-RL		HL		7		UNV		CVQ		5		WH				
SERIES		NO. OF LEDS		DRIVE CURRENT		DISTRIBUTION		CCT		COLOR		RETROFIT KITS/ACCESSORIES				
FLED-RL	LED under canopy light	LW	39 watts	7	700 mA	CVQ	Concentrated square	3	3500K	WH	White	FLEDR-RT1	Surface mounted retrofit kit for Whiteway Vision, Riviera 2, Thunderbird, 21" housing			
		LL	75 watts					5	5100K	DB	Dark Bronze	FLEDR-RT2	Surface mounted retrofit kit for LSI Masters/Dakota, 23" housing			
		ML	105 watts									FLEDR-RT3	Surface mounted retrofit kit for Jet Phillips, Whiteway Riviera 1, 22" housing			
		HL	137 watts									FLEDR-18CP	Retrofit kit for Whiteway Civic, LSI Richmond			
												FLEDR-12CP	12" square backer plate for 9" mounting hole			
												FLEDDSBR	Double Skin Canopy mounting plate/ no top access mounting plate			
												FLED-SM	Surface Mount Kit			

Canopy | FuelLED Recessed Canopy

Specifications

Construction:

- Two piece design includes die cast alluminum casting and alluminum driver box
- Shipping weight - 15lbs

Electrical:

- Universal input voltage 120-277 VAC, 50/60 Hz
- Automatic thermal self-protection
- LED drivers have output power over-voltage, over-current protection and short circuit protection with auto recovery
- LED electrical assembly, including PR devices, consumes no power in the 'off' state
- Surge protection standard
- Expected life: 60,000 hours

Installation:

- Unique two-piece design allows for simple installation into 4" mounting hole. Installs into 12" or 16" canopy deck pan. Retro kits available for all existing luminaires

Optics:

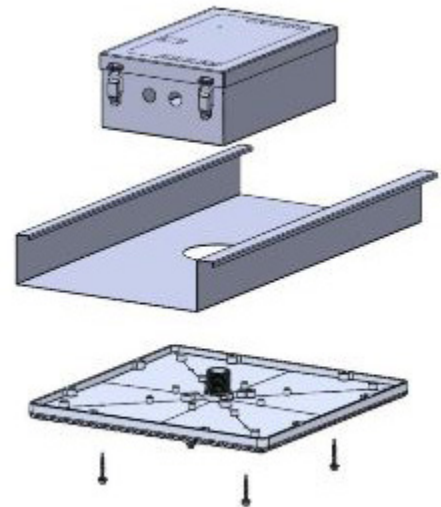
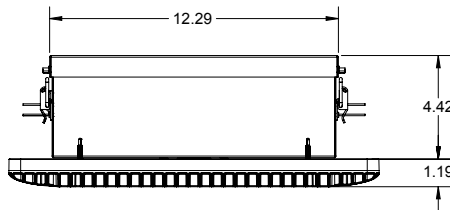
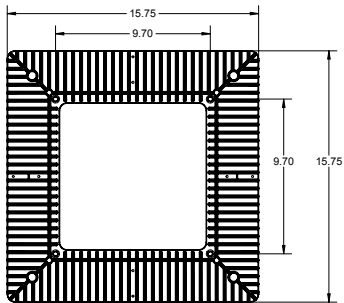
- Drop lens for optimal uniform distribution under the canopy and vertical footcandles on dispensers

Warranty:

- 5 year

Listings:

- CSA
- DesignLights Consortium qualified
- Lighting Facts



Performance Summary

Type	Engine	Delivered Lumens	No. of LEDs	CCT	Wattage	Lumens per watt	Replaces
CVQ Concentrated square	LW-700	4,025	120	5100K	39	103	175W
	LL-700	8,050	240		75	107	250W
	ML-700	12,100	360		105	115	320W
	HL-700	15,907	480		137	116	400W

All performance data has been acquired by physical test reports conducted to LM-79-08 standards in a controlled testing laboratory.