


FXL LED DECORATIVE FLOOD	Cat.#		 HUBBELL Outdoor Lighting
	Job	Type	

SPECIFICATIONS

Intended Use:

Extra large LED flood with wide beam NEMA 6 x 6 distribution for lighting applications such as safety/security, facade, area, or signs; operating temperature of -35°C to 40°C

Construction:

- Rugged die-cast aluminum housing with dark bronze finish
- Tempered glass lens protects LEDs and allows for cleaning/debris removal
- Vented housing isolates LED module from driver, maximizing product life and performance
- Visor accessory available

LED:

- 56 high powered LEDs deliver 16358 lumens
- 5100K CCT, 67 CRI

Optical/Electrical

- Wide flood NEMA 6 x 6 distribution for general purpose flood and facade lighting
- 120-277V operation, 50/60Hz, 200w, 1050mA, 82 LPW
- 0-10V dimming driver

Installation:

- Heavy duty steel yoke with adjustable stainless steel hardware, mounting holes for one center - 3/4" bolt or two side - 3/8" bolts
- 3' SE00W cord included

Listings:

- IP65 fixture, driver RoHS compliant and IP66
- Listed to UL1598 for use in wet locations

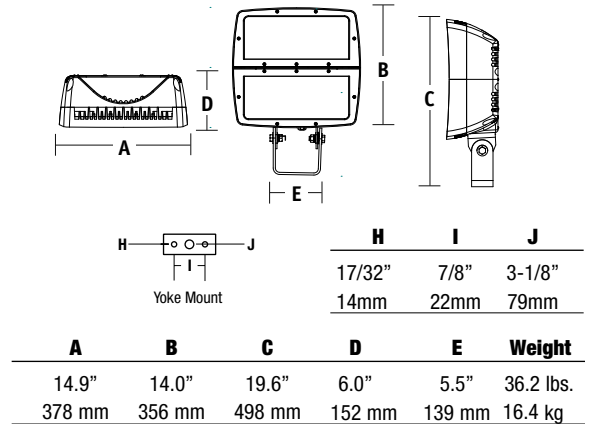
Warranty:

For more information visit:
<http://www.hubbelloutdoor.com/resources/warranty/>

PRODUCT IMAGE(S)



DIMENSIONS



CERTIFICATIONS/LISTINGS



SHIPPING INFORMATION

Catalog Number	G.W(kg)/CTN	Carton Dimensions		
		Length Inch (cm)	Width Inch (cm)	Height Inch (cm)
FXL-56L (Single carton 1 pc.)	40 (20)	19.25"	17.62"	9.62"

Carton dimensions for shipping purposes only

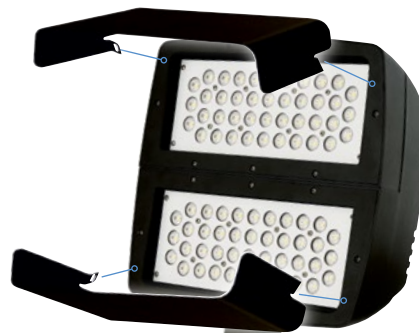
ORDERING INFORMATION

Catalog Number	Mount	Max Candle Power	Beam Pattern	Wattage	Drive Current	Voltage	Color Temperature	Lumens	LPW	Weight lbs. (kg)
FXL-56L	Yoke	10872	Wide	200w	1050mA	120-277V	5100K	16358	82	36.2 (16.4)

ACCESSORIES - Order Separately

Catalog Number	Description
FXL-VISOR-XX ¹	Top/Bottom visor (Tap holes in lens frame for field installation)

¹ Specify finish color to match fixture; e.g. DB - Dark Bronze



PERFORMANCE DATA

# OF LEDS	DRIVE CURRENT (MILLIAMPS)	SYSTEM WATTS	DISTRIBUTION TYPE	5K (5100K nominal, 67 CRI)				
				NEMA	FIELD ANGLE H° X V°	LUMENS	LPW	MAX BEAM CANDLEPOWER
56	1050mA	200	W	6 x 6	107° x 107°	16358	82	108712

Lumen values are from photometric tests performed in accordance with IESNA LM-79-08. Data is considered to be representative of the configurations shown. Actual performance may differ as a result of end-user environment, application and inherent performance tolerances of the electrical components.

LUMINAIRE AMBIENT TEMPERATURE FACTOR (LATF)

AMBIENT TEMPERATURE		LUMEN MULTIPLIER
0°C	32°F	1.02
10°C	50°F	1.01
20°C	68°F	1.00
25°C	77°F	1.00
30°C	86°F	1.00
40°C	104°F	0.99

Use these factors to determine relative lumen output for average ambient temperatures from 0-40°C (32-104°F).

PROJECTED LUMEN MAINTENANCE

AMBIENT TEMP.	OPERATING HOURS					Calculated L70 (HOURS)
	0	25,000	50,000	TM-21-11 60,000	100,000	
25°C / 77°F	1.00	0.93	0.90	0.87	0.77	>140,000
40°C / 104°F	1.00	0.92	0.89	0.86	0.75	>127,000

ELECTRICAL DATA

# OF LEDS	NUMBER OF DRIVERS	DRIVE CURRENT (mA)	INPUT VOLTAGE (V)	CURRENT (Amps)	SYSTEM POWER (W)
56	2	1050mA	120	1.63	200
			277	0.71	200

PHOTOMETRICS For additional photometric information and IES downloads, visit our web site at www.hubbelloutdoor.com

